



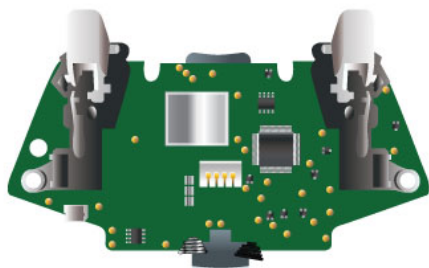
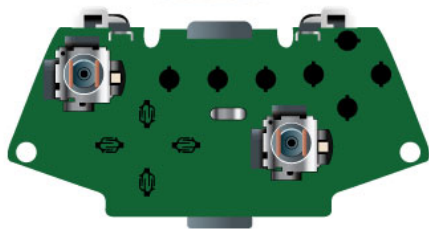
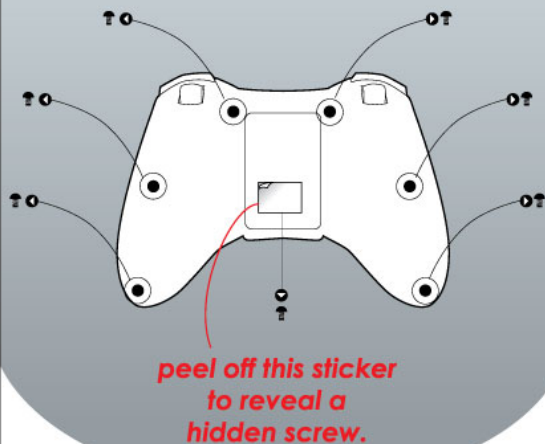
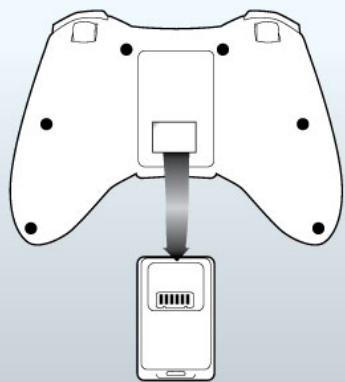
# TILT BOARD

with  
TiltTune  
technology!

*Motion Sensing Upgrade for the Xbox 360 Controller*



# Instructions



## Disassembly

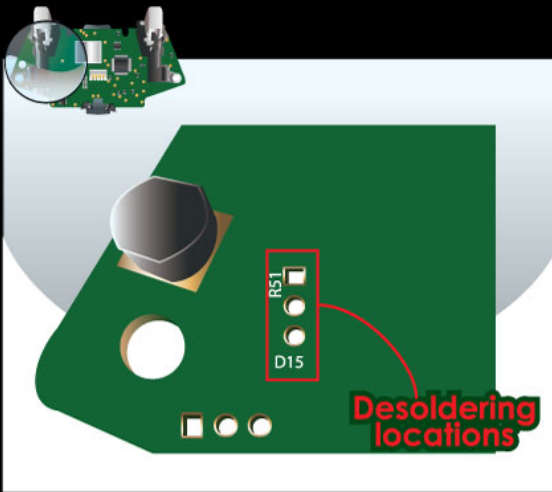
1) Remove cover from the Xbox 360 controller

2) Remove the rumble motors (pull the plug, not the wire) and set them to the side. These plugs are especially susceptible to coming off the wires, so it is highly recommended that you be very careful with this step. Note that the larger rumble motor goes on the right.

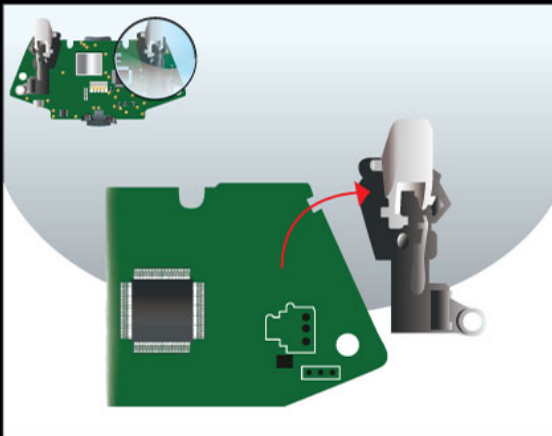
3) Pull off the analog sticks.

4) Remove main PCB from controller shell.

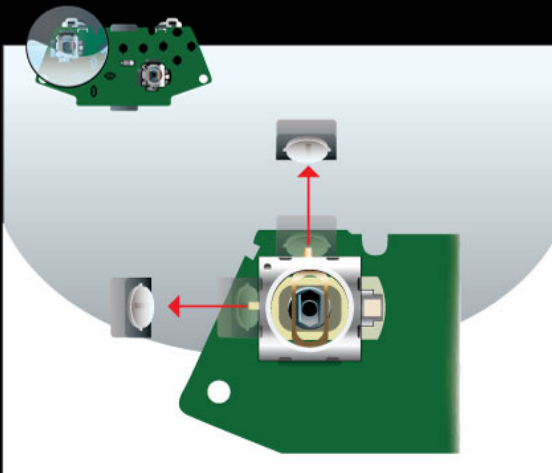
Place controller shell and associated parts in a box to avoid losing pieces.



5) Desolder trigger potentiometer



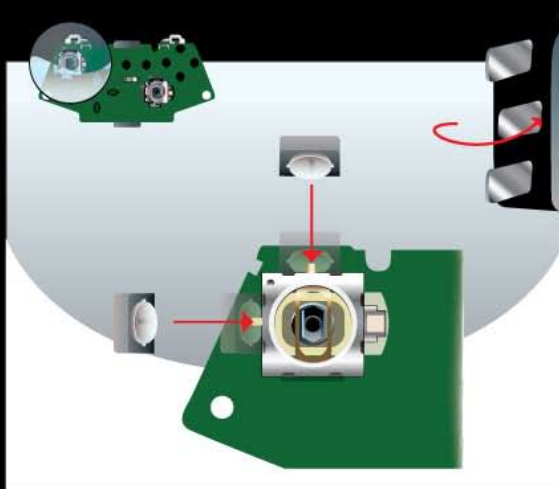
6) Remove the trigger assembly



7) Potentiometers

**A** Remove the potentiometers from the analog stick. Take a small flathead screwdriver and put it between the potentiometer and the assembly. Now push the screwdriver towards the assembly and the potentiometer will detach from the assembly. (please note that we are referring to the analog stick on the RIGHT side of the PCB)

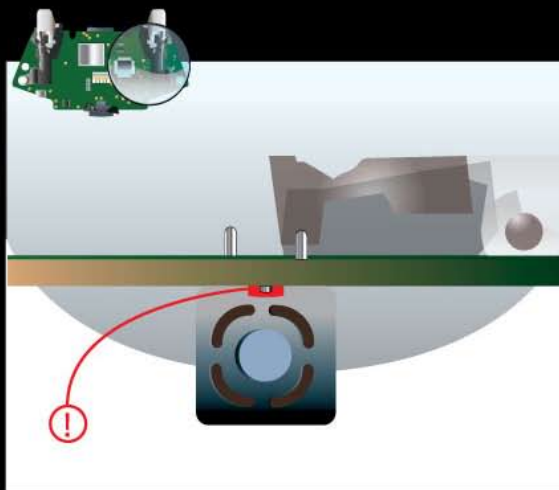
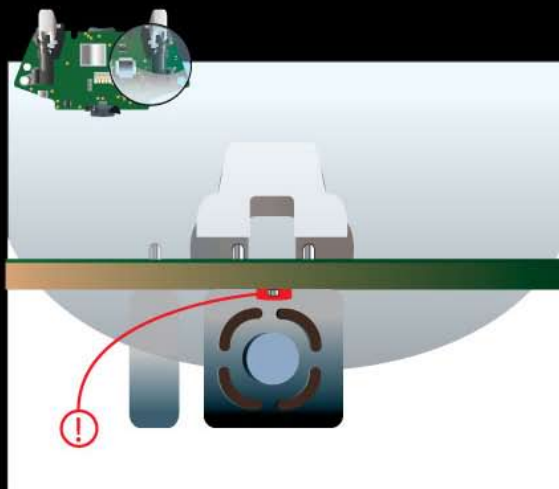
**B** Desolder each potentiometer and remove it from the board.

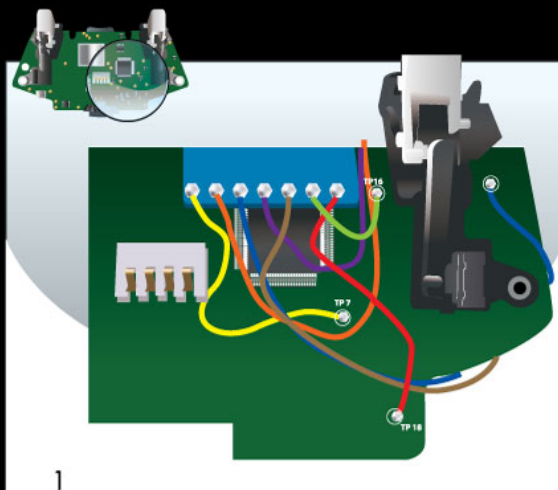


**8)** Once it is removed from the board, bend the middle pin out and solder it back into place.

Repeat this process for both potentiometers.  
put the trigger assembly back on the board.

- A** First put the plastic piece back on
- B** Re-solder in the potentiometer





1

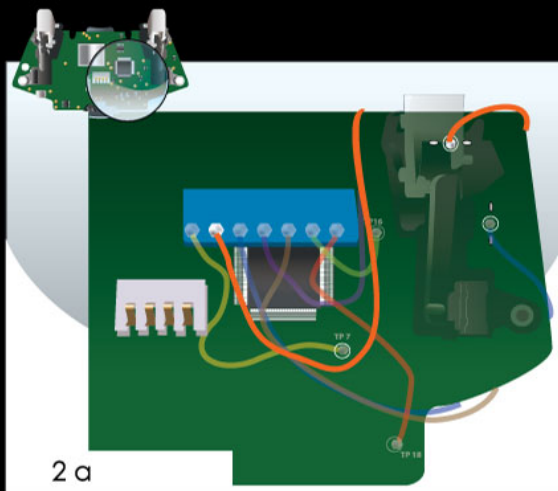
## 9) Solder the wires

Solder 7 wires to the controller (If necessary, solder the wires on to the tiltboard as seen in the figure 1).

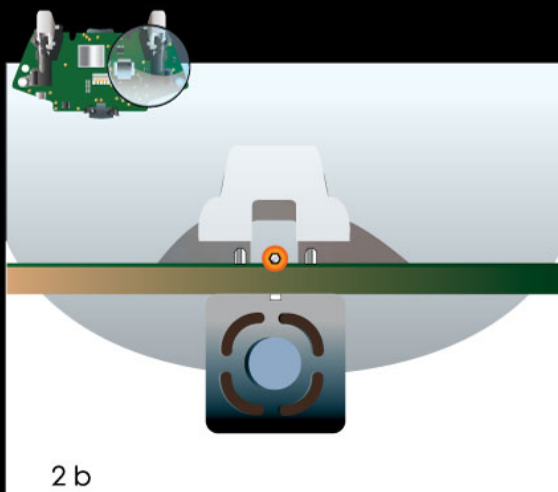
### **From left to right:**

1. Solder the yellow wire (VREF) to TP7, located just below the right side of the tiltboard (see figure 1).

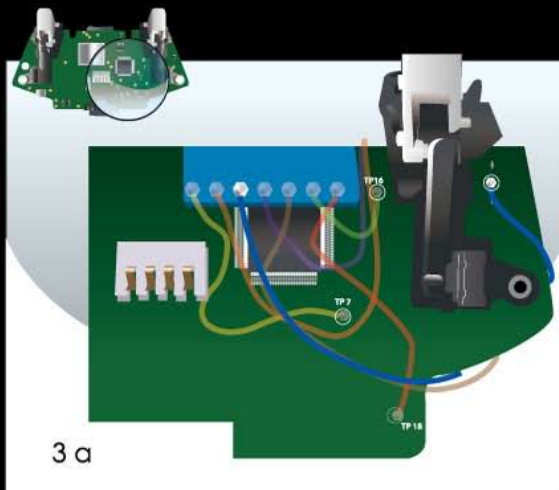
2. Solder the orange wire (X) to the board location where the middle pin of the X potentiometer went before you bent it up (that hole is now empty) (see figure 2) (reminder: the X potentiometer is the one that is facing the forward, to the trigger)



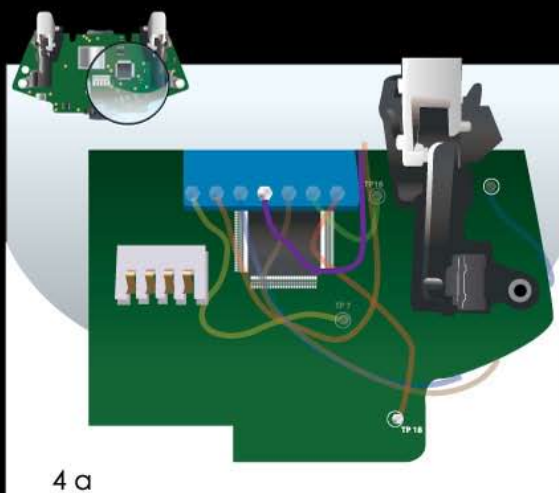
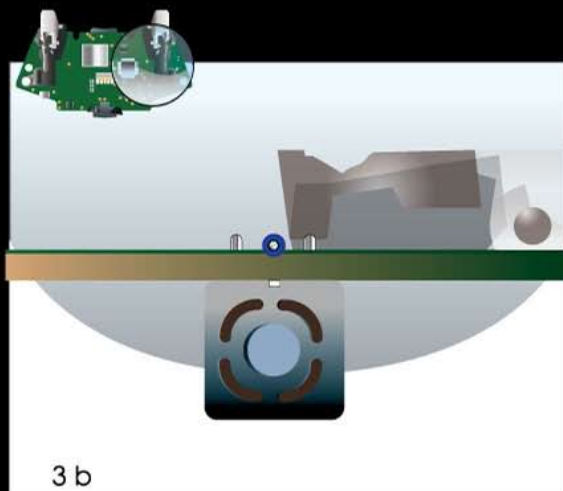
2 a



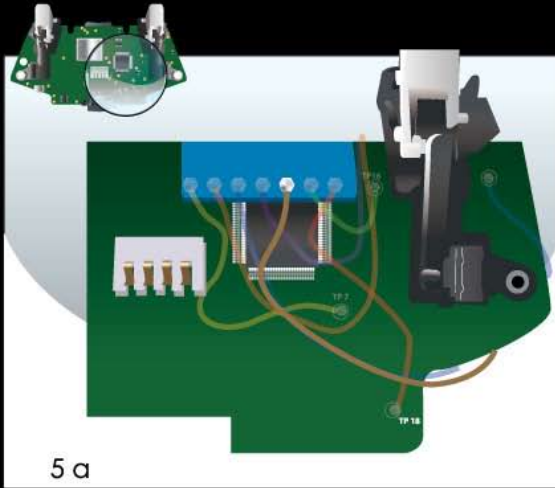
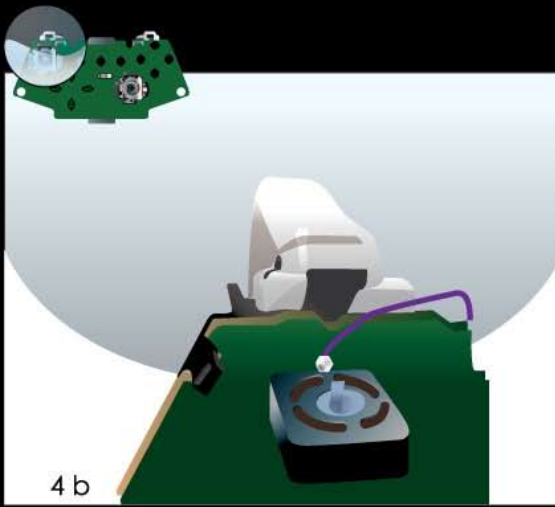
2 b



3. Solder the blue wire (Y) to the board location where the middle pin of the Y potentiometer went before you bent it up (that hole is now empty, see figure 3a & 3b) (reminder, the Y potentiometer is the one that is facing to the side)



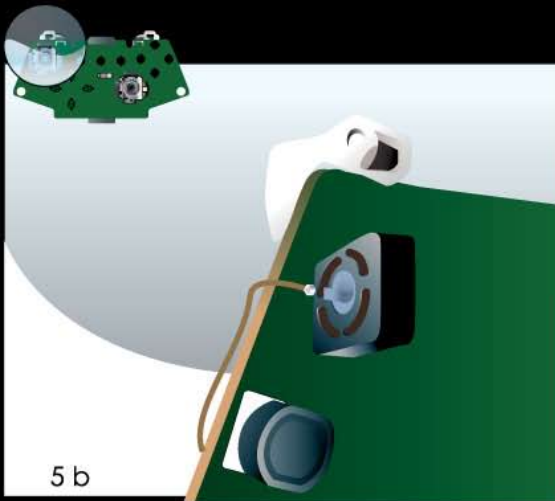
4. Solder the purple wire (PX) to the middle pin of the X potentiometer (the one that you bent up) (figure 4a & 4b)



5. Solder the brown wire (PY) to the middle pin of the Y potentiometer (the one that you bent up) a (figure 5 a & 5 b)

6. Solder the green wire to ground (TP16) located below the right side of the tiltboard (see figure 1)

7. Solder the red wire (V+) to TP18, located below the tiltboard on the right side (see figure 1)



THE MOON



# XRAY

easy snap-in window  
for you xbox 360 case



# MOONKNIGHT TOOL KIT



**the tools you need**  
to open and disassemble  
either Xbox or Xbox 360.



# TWILIGHT FLOW

**Lighted Replacement Fan  
Duct for Customizing Xbox 360**