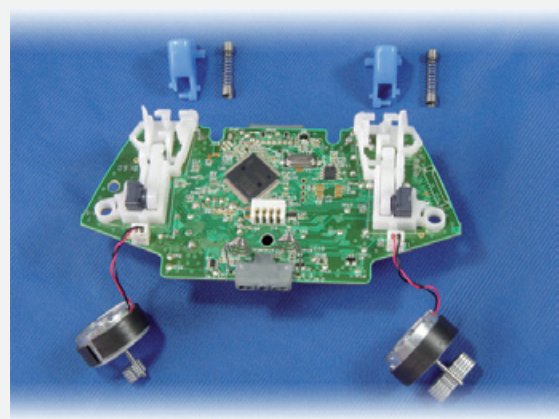
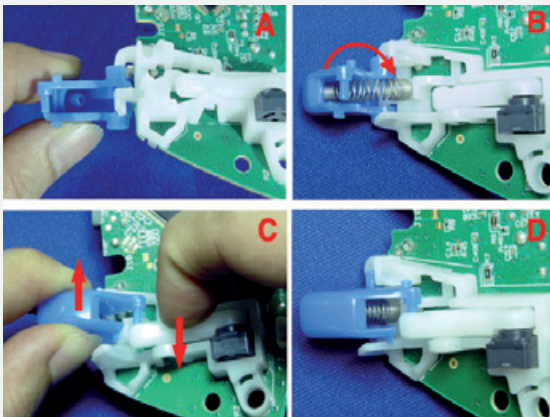




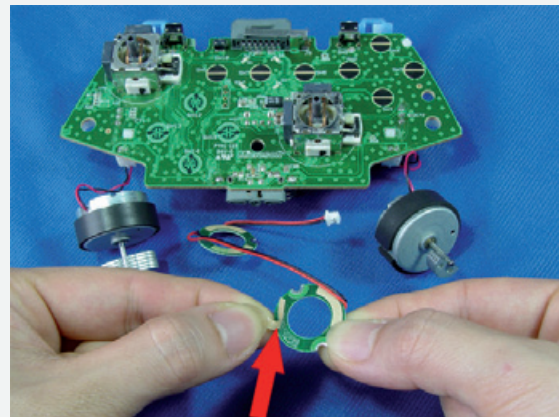
1. Installation parts.



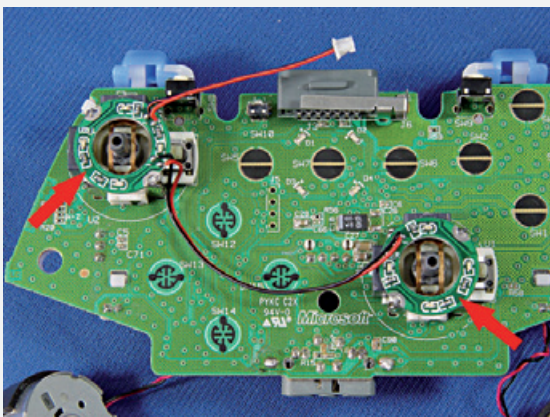
2. The RT and LT buttons.



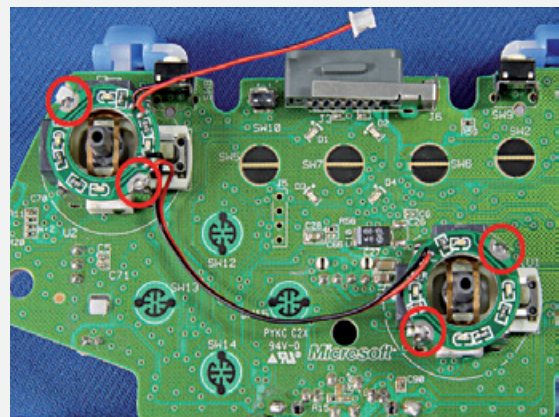
3. As shown in the diagram, install the RT and LT buttons step by step.



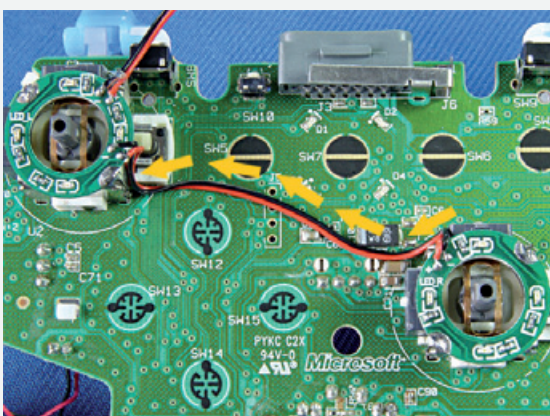
4. Remove the double-side tape.



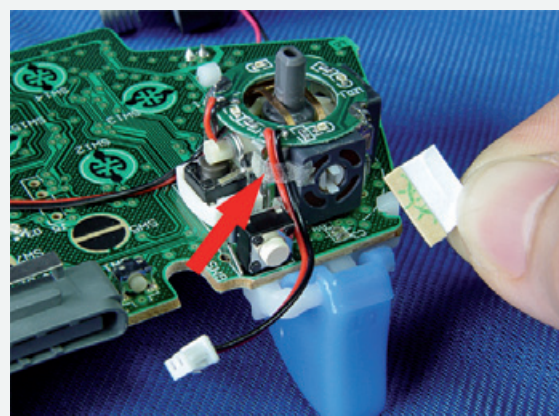
5. Stick the PCB to the these 2 places.



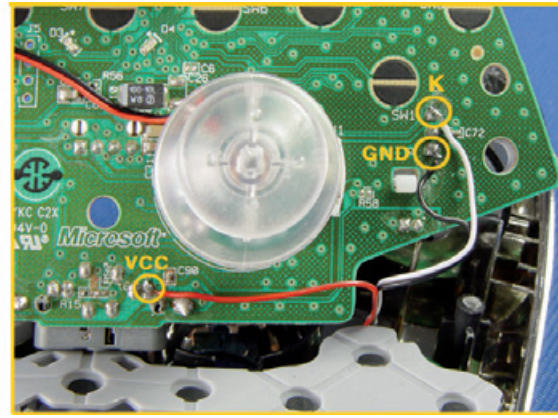
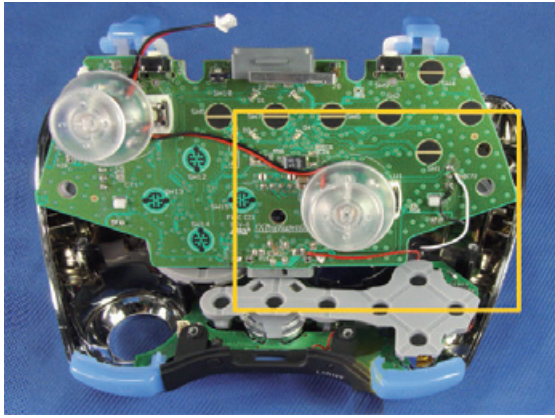
6. Soldering this 4 points.



7. Follow the direction of the arrow indicated to lay down the wires.



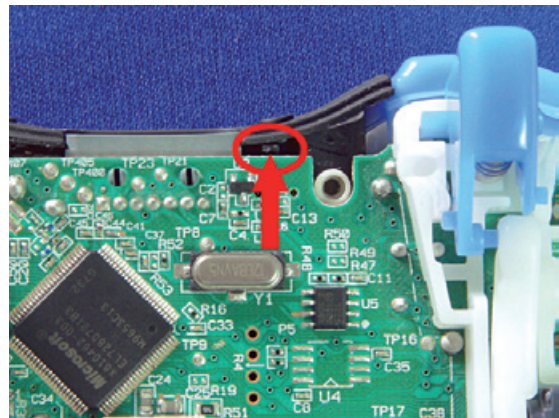
8. Using the adhesive tape stick the cable to this position.



9. As shown in the photo, soldering this 2 wires.



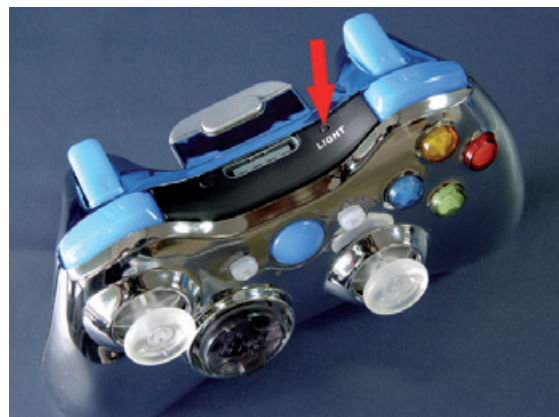
10. Plug the power cord to this socket.



11. As shown in the diagram, push the back of on-live button close to this point, make sure the button working properly before closing the controller shell.



12. Close the controller bottom, put on the 7 screws then cover the battery pack back to the place.



13. LED light button (on/off the LED light).